



# American Concrete Industries

4'Ø Manhole

ACI Catalog

Commercial / Manhole / 4 FT

### GENERAL SPECIFICATIONS:

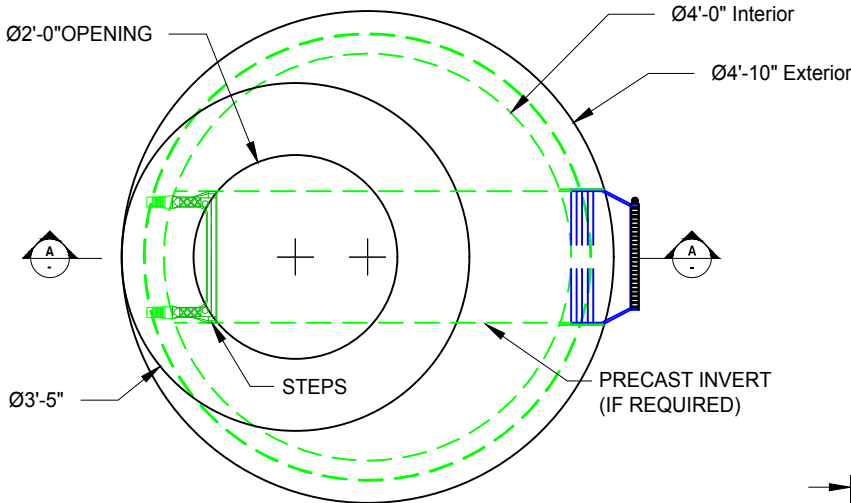
- 1) CONCRETE 4,000 PSI AFTER 28 DAYS
- 2) DESIGNED FOR H-20 WHEEL LOADING
- 3) CONFORMS TO AASHTO M199 / ASTM C478 IN ACCORDANCE WITH MAINE DOT STD SPEC 712.06
- 4) REINFORCED TO 0.12 IN<sup>2</sup>/L.F., STRUCTURAL FIBERS
- 5) JOINTS SEALED W/ (2) STRIP OF BUTYL RUBBER

### OPTIONS FOR MANHOLES:

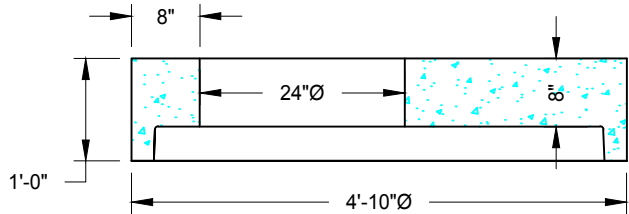
- PLASTIC STEPS (12" O.C.)
- ECCENTRIC CONE: 2'H, 3'H, 4'H
- CONCENTRIC CONE: 2'H
- HAUNCHED CONE: 2'H
- FLAT TOP
- EXTERIOR DAMP-PROOFING
- PRECAST INVERTS

### CONNECTOR TYPE:

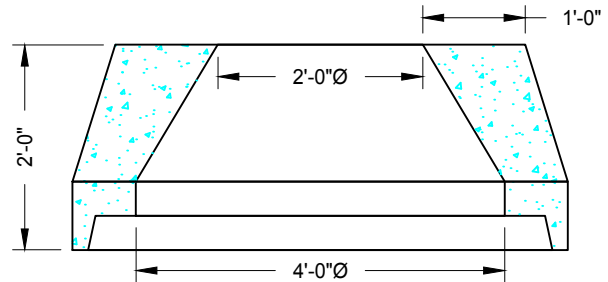
- BOOTS
- LINK-SEALS



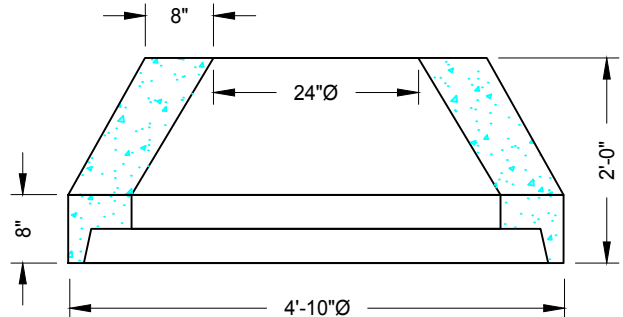
PLAN VIEW



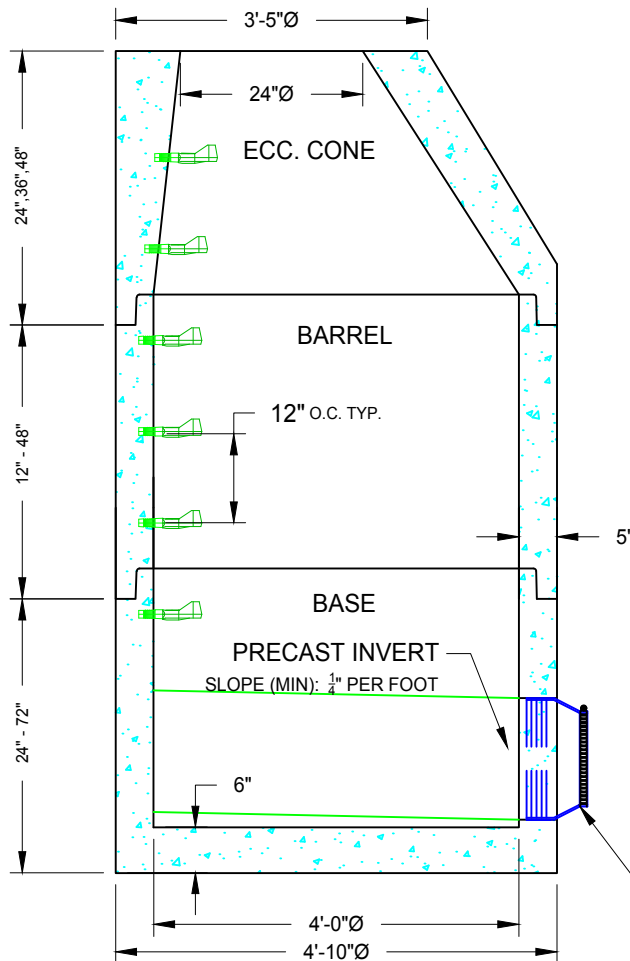
4' OFFSET FLAT TOP



4' X 2' HANCHED CONE



4' X 2' CONCENTRIC CONE



SECTION "A-A"

FLEXIBLE CONNECTORS (BOOTS)

	APPROX. WEIGHTS (#)
FLAT TOP	1,835
BARREL	870 V.F.
FLOOR	945
STORAGE	94 GAL/FT

American Concrete Industries & Superior Concrete LLC

1717 Stillwater Ave  
Veazie, ME 04401  
Tel: 207-947-8334 / Fax: 207-947-8334

982 Minot Ave  
Auburn, ME 04210  
Tel: 207-784-1388 / Fax: 207-783-4039

Drawn By: OLM

Drawn Date: 8/8/2000

Revision #: 0.03

Revision Date: 4/10/2019