



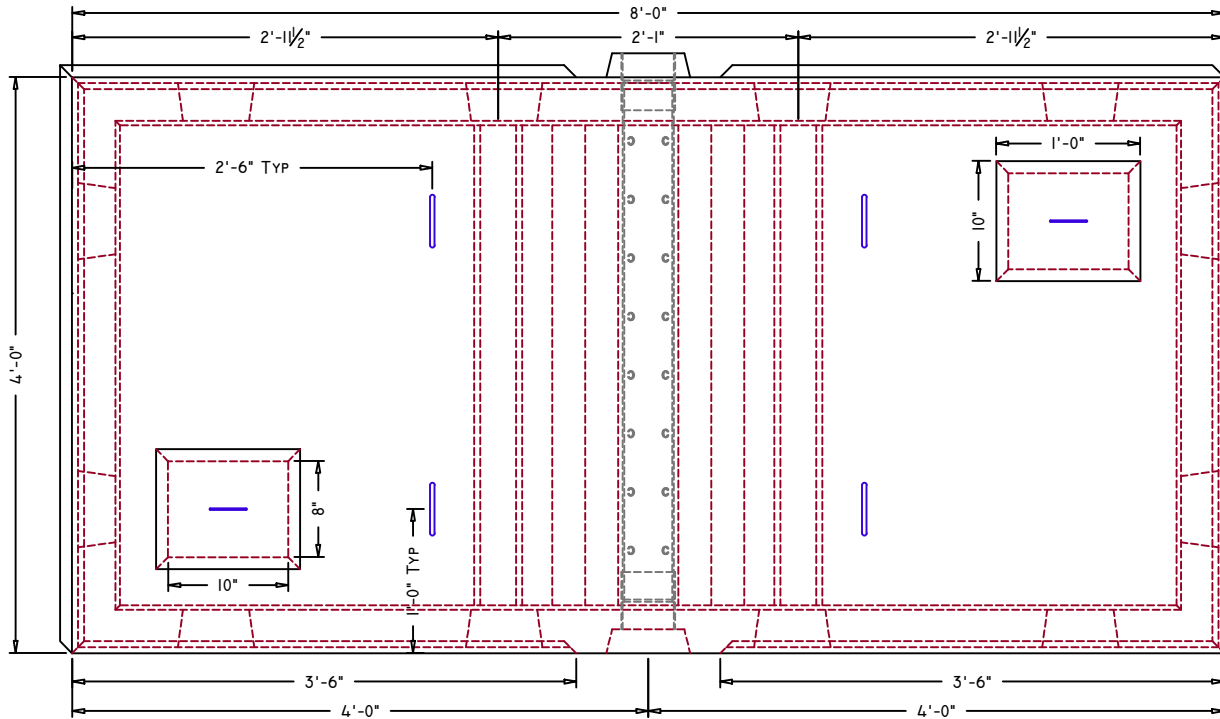
American Concrete Industries

4'x8' SIDE FEED (H-20) FLOW DIFFUSER

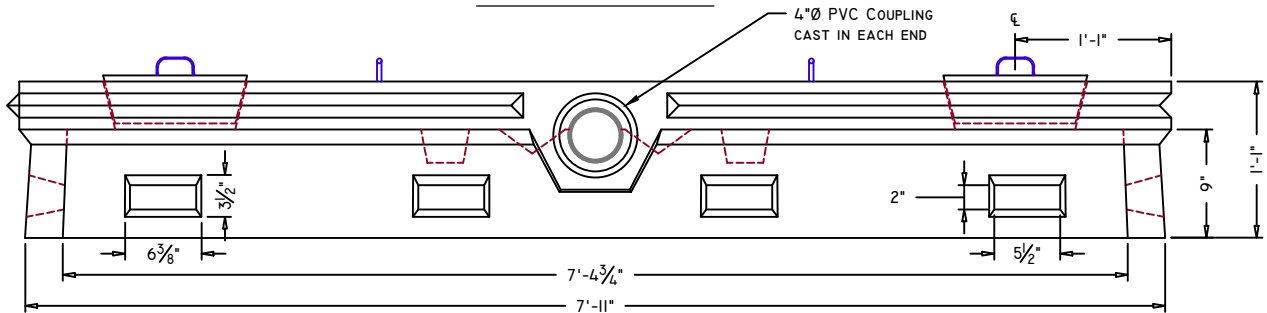
ACI CATALOG 2014 / FLOWDIFFUSORS

RESIDENTIAL SEPTIC LEACHING PRODUCTS

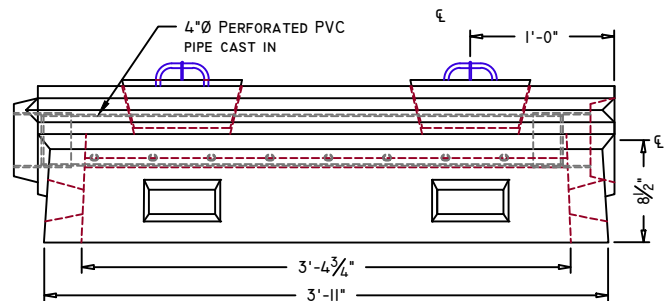
ITEM# 285040



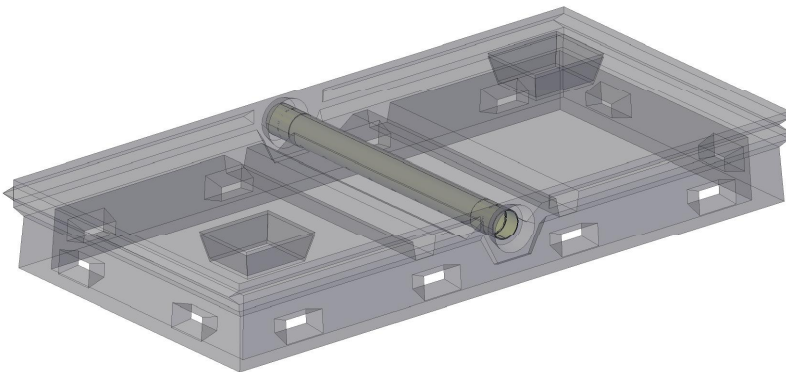
PLAN VIEW



ELEVATION VIEW



END VIEW



CONCEPTUAL VIEW - NTS

Manufacturing Notes

- 1.1. CONCRETE COMPRESSIVE STRENGTH: 5000PSI @ 28 DAYS
- 1.2. AIR ENTRAINMENT: 4-6%
- 1.3. GRADE 60 REINFORCEMENT
 - 1.3.1. DESIGNED/REINFORCED FOR H20 WHEEL LOAD RATING
 - 1.3.2. MINIMUM SOIL COVER (H-10 LOADING): 12"
 - 1.3.3. MINIMUM SOIL COVER (H-20 LOADING): 24"
 - 1.3.4. DESIGNED FOR SOIL COVER >5', SOIL BEARING CAPACITIES SHOULD BE REVIEWED

Physical Specifications:
Weight: 2,225 lbs

WWW.AMERICANCONCRETE.COM

1717 STILLWATER AVE.
VEAZIE, ME 04401

1022 MINOT AVE
AUBURN, ME 04210

TEL: (207) 947-8334 | FAX: (207) 947-3580

TEL: (207) 784-1388 | FAX: (207) 783-4039

SCALE: 3/4" = 1'-0" UNLESS OTHERWISE NOTED

REVISION #:

DRAWN DATE: 11/07/2014

SSM

REVISION DATE: