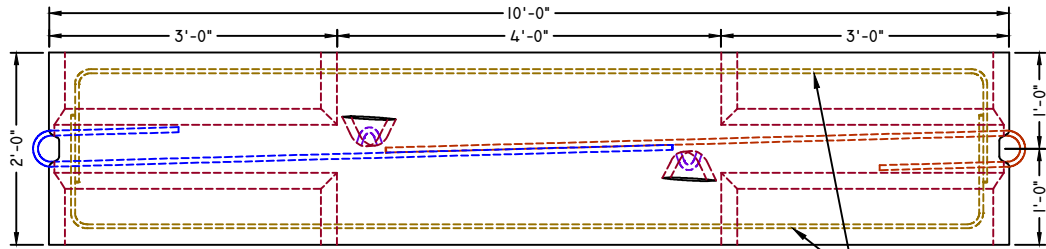


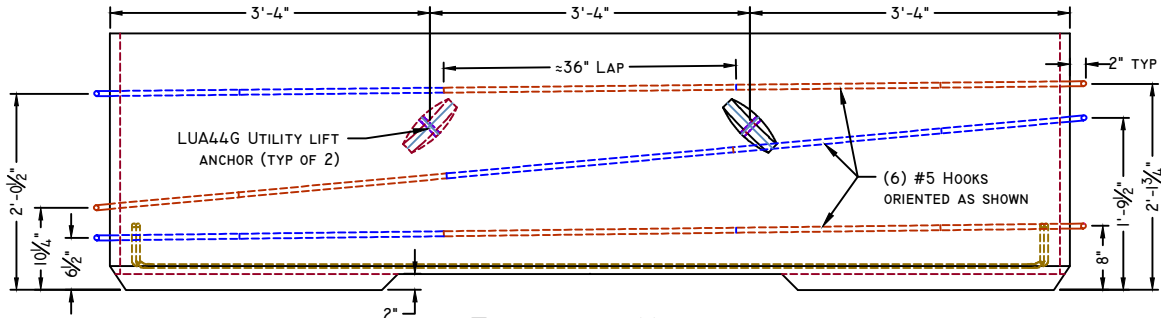


10' JERSEY BARRIER

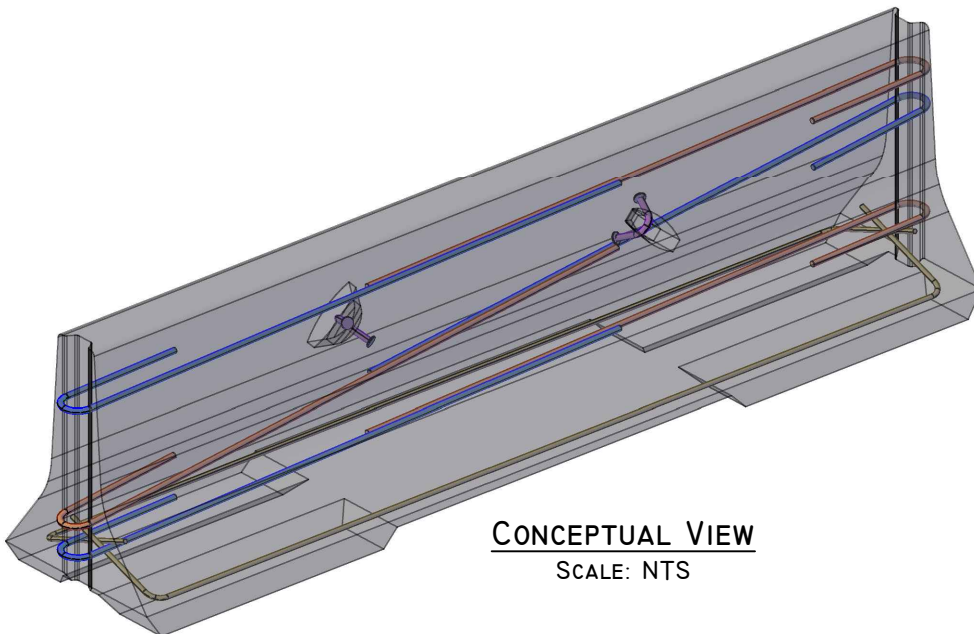


PLAN VIEW

#4 "U-BARS" THROUGH HOOKS; 1 PER SIDE

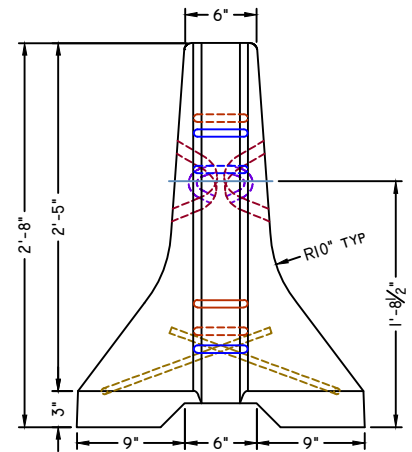


ELEVATION VIEW



CONCEPTUAL VIEW

SCALE: NTS



END VIEW

Manufacturing Notes

- 1.1. CONCRETE COMPRESSIVE STRENGTH: 5000PSI @ 28 DAYS
- 1.2. AIR ENTRAINMENT: 4-6%
- 1.3. GRADE 60 REINFORCEMENT

Physical Specifications:

Barrier Weight: 3,570 lbs