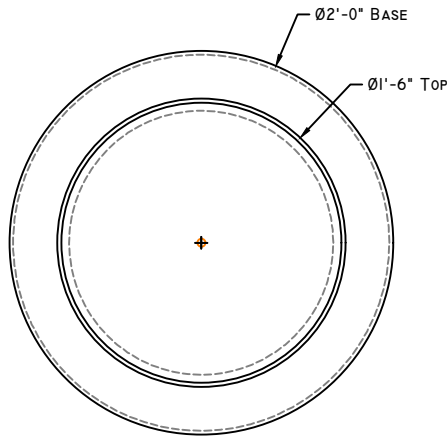




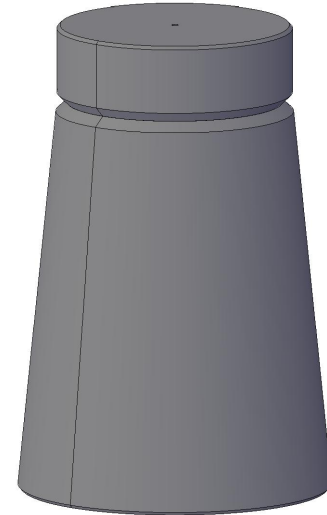
American Concrete Industries

WWW.AMERICANCONCRETE.COM
1717 STILLWATER AVE.
VEAZIE, ME. 04401
TEL: (207) 947-8334
FAX: (207) 947-3580

TB-I BOLLARD

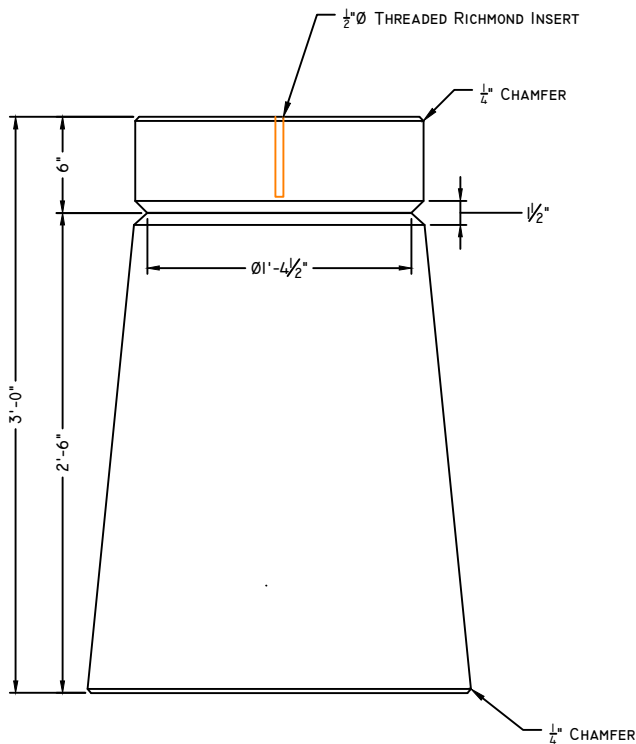


PLAN VIEW



CONCEPTUAL VIEW

SCALE: NTS



ELEVATION VIEW

Manufacturing Notes

- 1.1. CONCRETE COMPRESSIVE STRENGTH: 5000PSI @ 28 DAYS
- 1.2. AIR ENTRAINMENT: 4-6%
- 1.3. GRADE 60 REINFORCEMENT

Physical Specifications:

Barrier Weight: 1,037 lbs