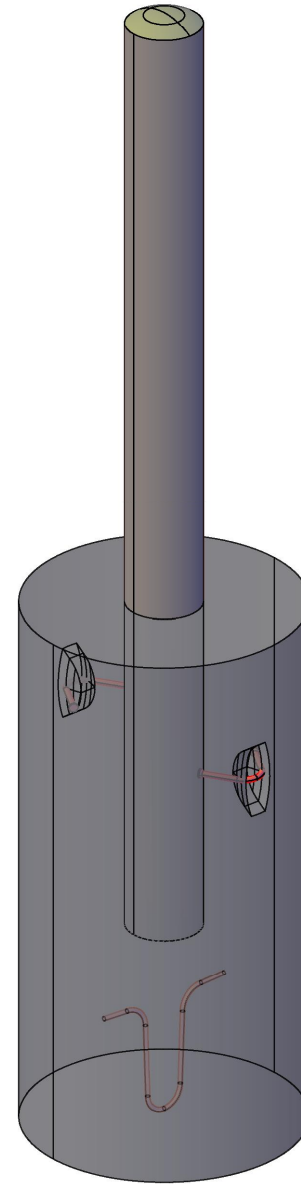
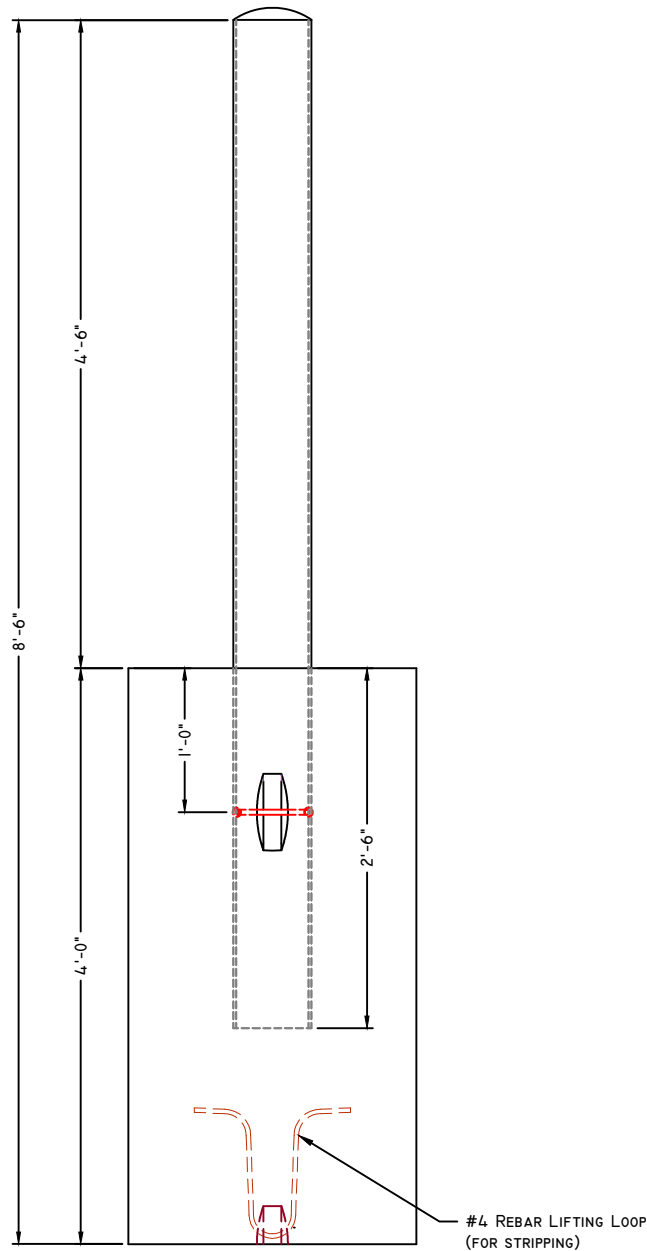
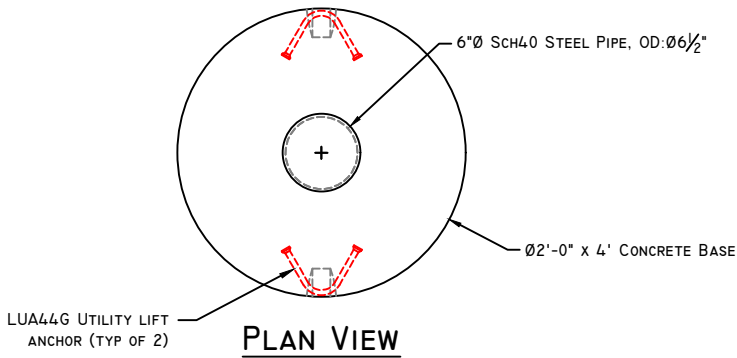




ACI STOCK BOLLARD



Manufacturing Notes

- 1.1. CONCRETE COMPRESSIVE STRENGTH: 4000PSI @ 28 DAYS
- 1.2. AIR ENTRAINMENT: 4-7%
- 1.3. GRADE 60 REINFORCEMENT

Physical Specifications:

Barrier Weight: 2,039 lbs