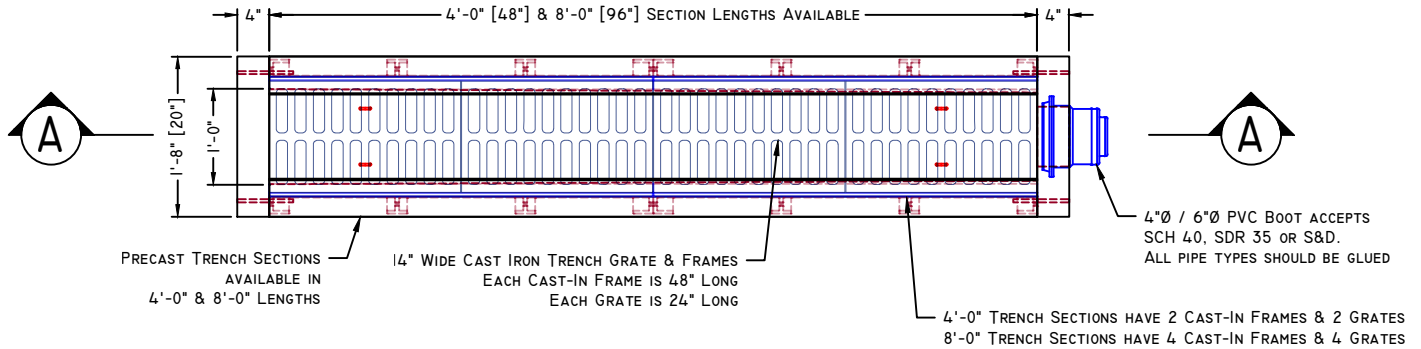




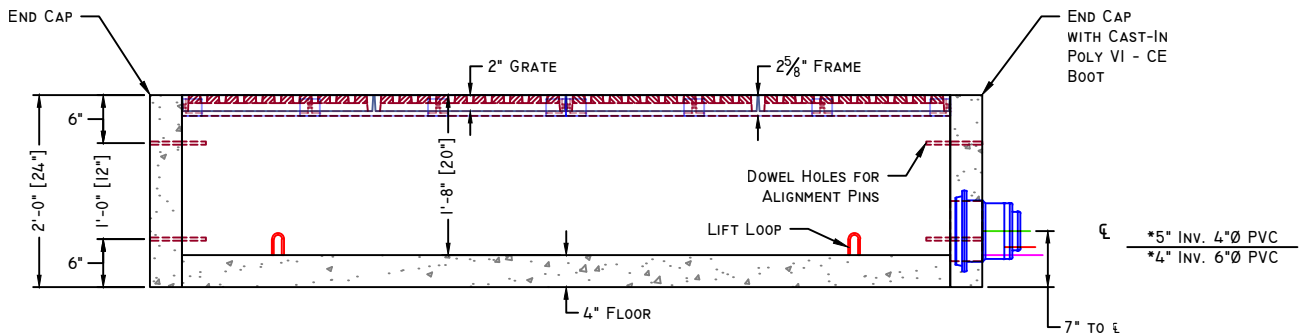
# American Concrete Industries

12" x 20" DRAINAGE TRENCH WITH CAST IRON FRAMES & GRATES

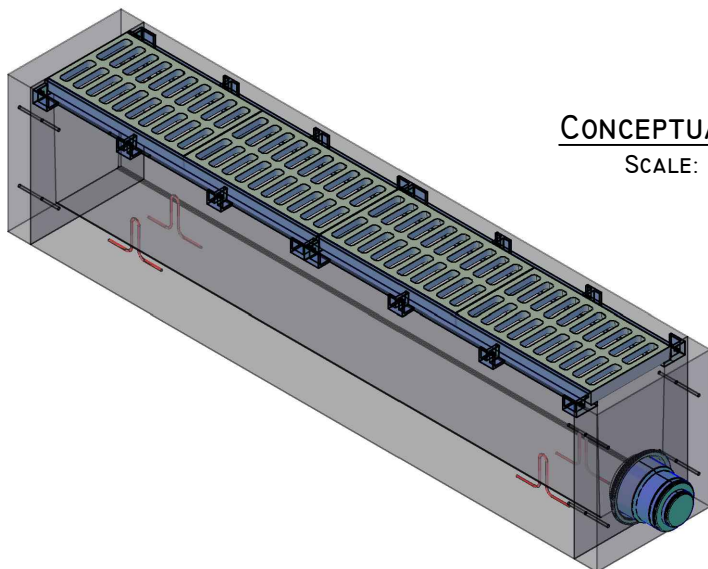
WWW.AMERICANCONCRETE.COM  
 1717 STILLWATER AVE.  
 VEAZIE, ME. 04401  
 TEL: (207) 947-8334  
 FAX: (207) 947-3580



**PLAN VIEW**



**SECTION A-A**



**CONCEPTUAL VIEW**

SCALE: NTS

**Manufacturing Notes**

- 1.1. CONCRETE COMPRESSIVE STRENGTH: 5000PSI @ 28 DAYS
- 1.2. AIR ENTRAINMENT: 4-6%
- 1.3. GRADE 60 REINFORCEMENT
- 1.4. DESIGNED FOR H20 LOAD RATING
- 1.5. ALL JOINTS SEALED W/ BUTYL RUBBER JOINT SEALANT

**Physical Specifications:**

8'-0" Trench Section Weight:	2,050 lbs
4'-0" Trench Section Weight:	1,025 lbs
2'-0" C.I. Grate Section Wt.:	70 lbs
End Cap Weight:	170 lbs
End Cap w/ Boot Weight:	150 lbs
Interior Volume / L.F.:	11.9 gal (max)