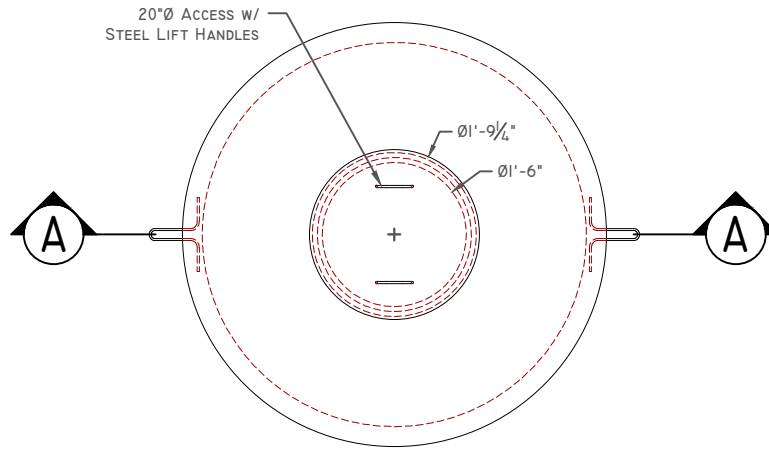
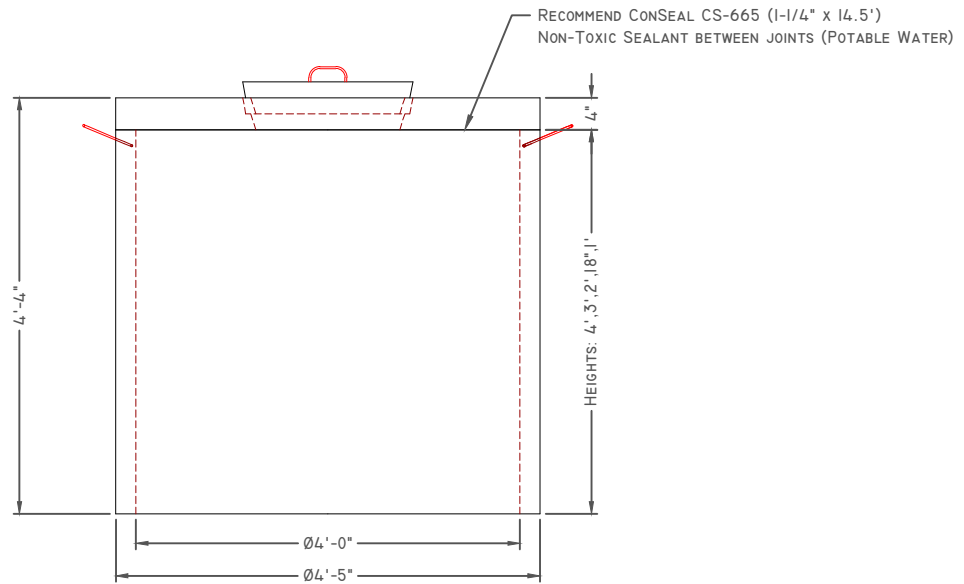




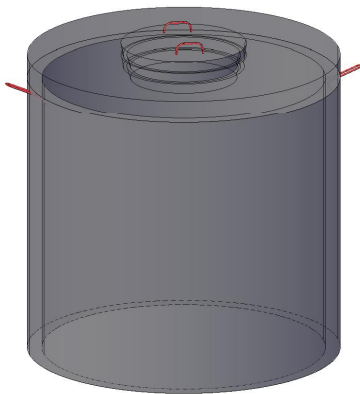
## 4'Ø WELL TILE



**PLAN VIEW**



**SECTION A-A**



**CONCEPTUAL VIEW**

SCALE: NTS

**Manufacturing Notes**

- 1.1. CONCRETE COMPRESSIVE STRENGTH: 4000PSI @ 28 DAYS
- 1.2. AIR ENTRAINMENT: 4-6%
- 1.3. GRADE 60 REINFORCEMENT
- 1.4. RECOMMEND JOINTS SEALED W/ BUTYL RUBBER JOINT SEALANT (NON-TOXIC AVAILABLE FOR POTABLE SYSTEMS)

**Physical Specifications:**

|                              |           |
|------------------------------|-----------|
| 4'Ø WT Cover (#246130):      | 511 lbs   |
| 4'Øx4' Well Tile (#246120):  | 1,631 lbs |
| 4'Øx3' Well Tile (#246110):  | 1,222 lbs |
| 4'Øx2' Well Tile (#246100):  | 815 lbs   |
| 4'Øx18" Well Tile (#246090): | 611 lbs   |
| 4'Øx1' Well Tile (#246080):  | 407 lbs   |