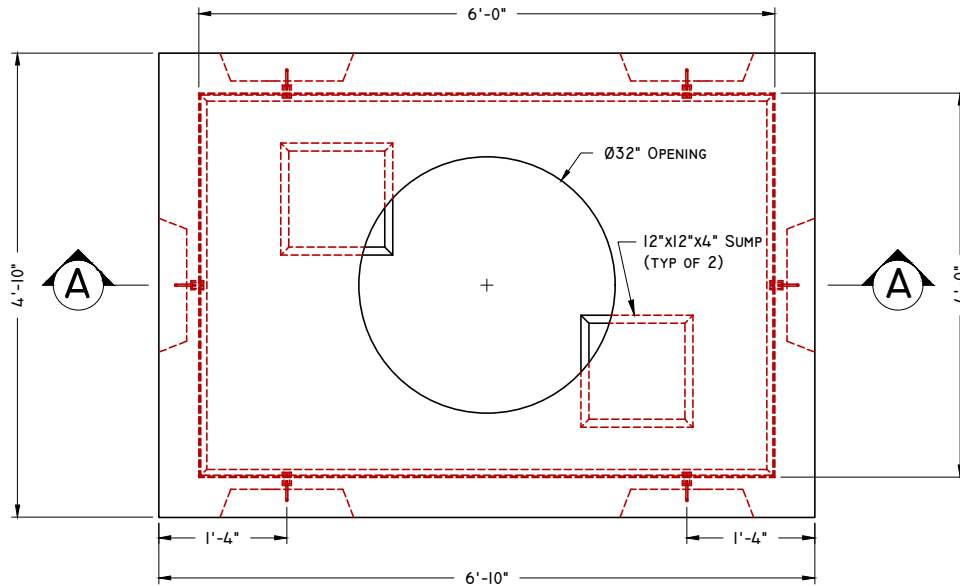
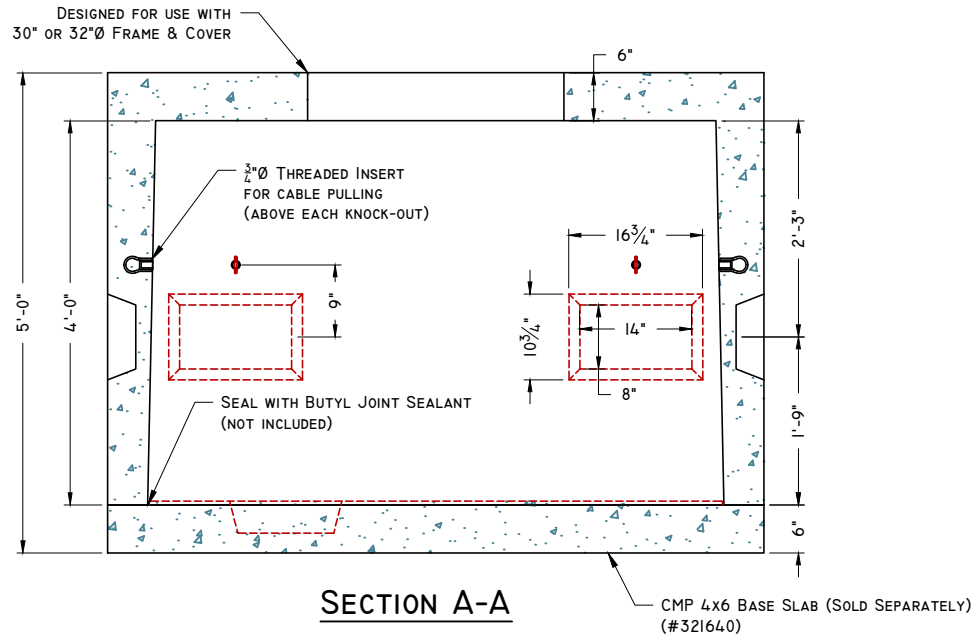




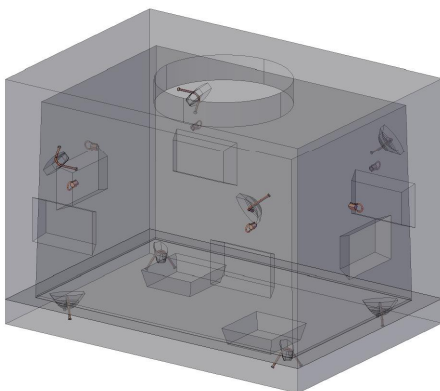
4'x6' CMP SPLICE BOX



PLAN VIEW



SECTION A-A



CONCEPTUAL VIEW

1. Site Preparation Notes:

- 1.1. PAD SHALL BE SET ON A PROPERLY PREPARED <1" GRAVEL OR CRUSH STONE BASE
- 1.2. FINISHED GRADE SHALL BE PREPARED IN SUCH A WAY AS TO SHED WATER AWAY FROM THE PAD

2. Manufacturing Notes:

- 2.1. CONCRETE COMPRESSIVE STRENGTH: 4,000PSI @ 28 DAYS
- 2.2. AIR ENTRAINMENT: 4%-6%
- 2.3. GRADE 60 REINFORCEMENT
- 2.4. DESIGNED FOR H-20 TRAFFIC LOADING
- 2.5. 3/4"Ø NATIONAL COURSE THREADED INSERTS AS SHOWN FOR PULLING EYES

3. Physical Specifications:

- 3.1. Upper Unit Weight (#321660): 7,692 lbs
- 3.2. Base Slab Weight (#321640): 2,493 lbs
- 3.3. Total Weight: 10,185 lbs